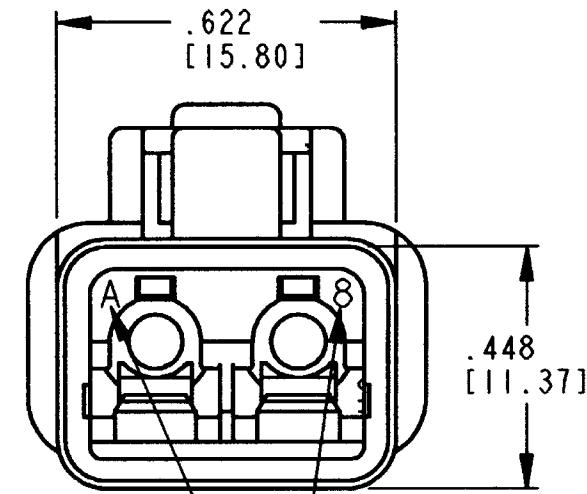
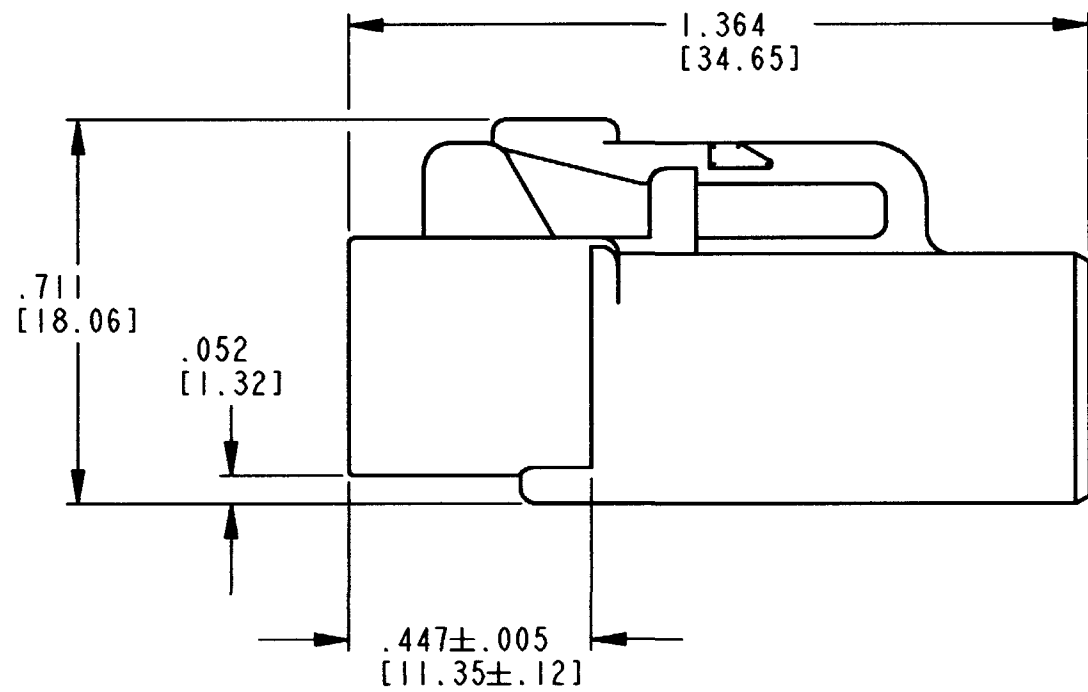
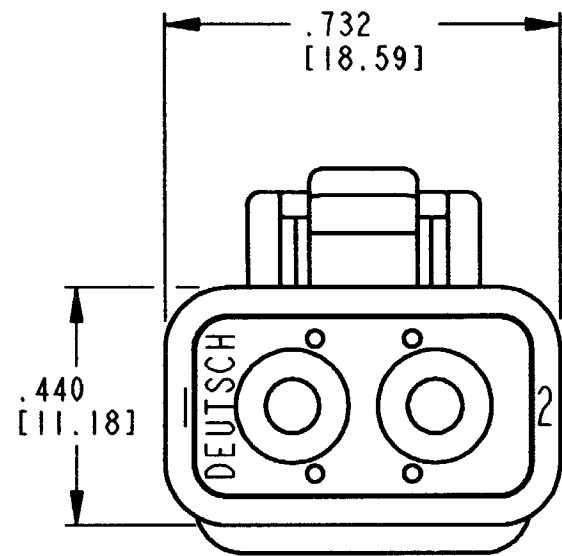


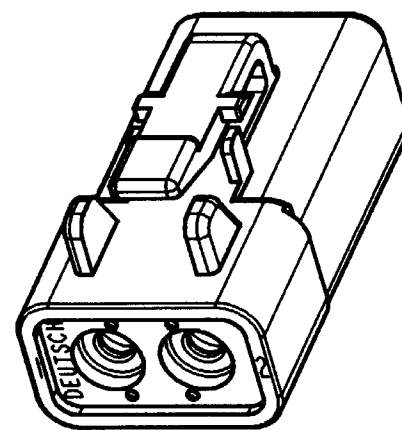
REV
A DTP06-2S-E004

REVISIONS			
SYM	DESCRIPTION	DATE	APPROVED
NC	NEW RELEASE PER E.O. P17711	4-4-02	R.D.R.
A	REVISED PER E.O. P18823	2-11-05	RDR



DATE CODE: MONTH IS REPRESENTED BY SEQUENTIAL ALPHA CHARACTERS. EX: A=JANUARY; YEAR IS REPRESENTED BY LAST NUMERICAL DIGIT. EX: 8=2008

- 6. MATERIAL: HOUSING: PLASTIC; GROMMET: RUBBER
 - 5. THIS PLUG MATES WITH DTP04-2P-**** RECEPTACLE. (**** = ALL MODIFICATIONS)
 - 4. FOR CONTACT AND WIRE PERFORMANCE AND APPLICATION CHARACTERISTICS SEE ENVELOPE DRAWING 0425-015-0000.
 - 3. SECONDARY WEDGE LOCK SOLD SEPARATELY, WP-2S.
 - 2. DIMENSION TOLERANCE: ±.025 [.64].
 - 1. DIMENSIONS ARE IN INCHES [mm].
- NOTES: UNLESS OTHERWISE SPECIFIED



3D VIEW

CONTACT SIZE	MIN. INSUL. O.D.	MAX. INSUL. O.D.	WIRE RANGE [mm ²] REF ONLY
12	.097 [2.46]	.158 [4.01]	10-14 AWG [5.0-2.0]

SIGNATURE & DATE	
DR	D. MEYER 04/04/02
CHK	X. Sanchez 2/4/05
PE	Vladimir Tomar FEB-05
APPD	D. Meyer 2/4/05
SCALE	NONE WT

PLUG
2 WAY, SIZE 12
COLOR: BLACK
-E004 MOD
DTP SERIES
ENVELOPE

CP EPI07	MATL. CODE
The Deutsch Company DEUTSCH I.P.D. 3850 INDUSTRIAL AVE. HEMET, CALIF. 92545	
B	DTP06-2S-E004
DWG SIZE	CODE 11139 SHEET OF